

vivre PANELS
WALL
MOULDINGS



INTRODUCTION

"Our love for wall design is what drives us to create unique and versatile paintable mouldings for interior designers and architects in India. We understand that walls are more than just a backdrop - they are an expression of our personality and style. That's why our collection of mouldings offers a wide variety of patterns and designs to cater to your individual taste. Let's celebrate our love for wall design together and turn your vision into reality!"



SPECIFICATIONS



High Grade
Charcoal

Raw Material

Upto 45mm

Width

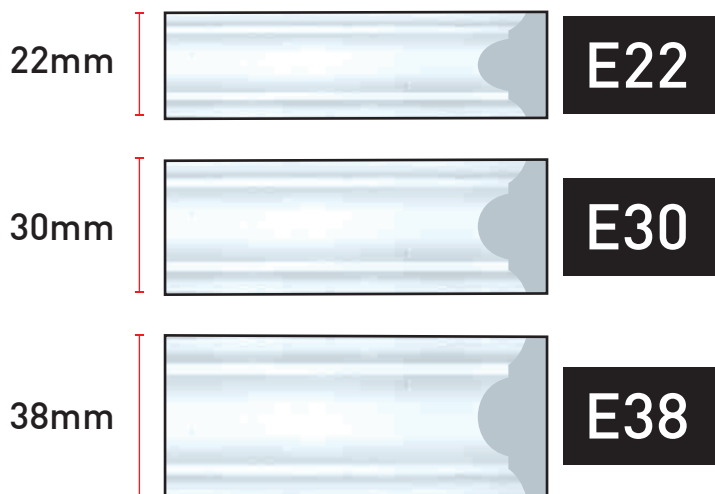
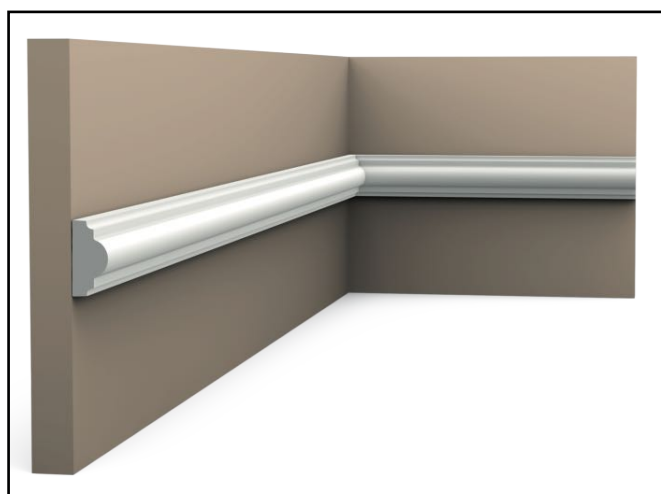
8 Feet

Height

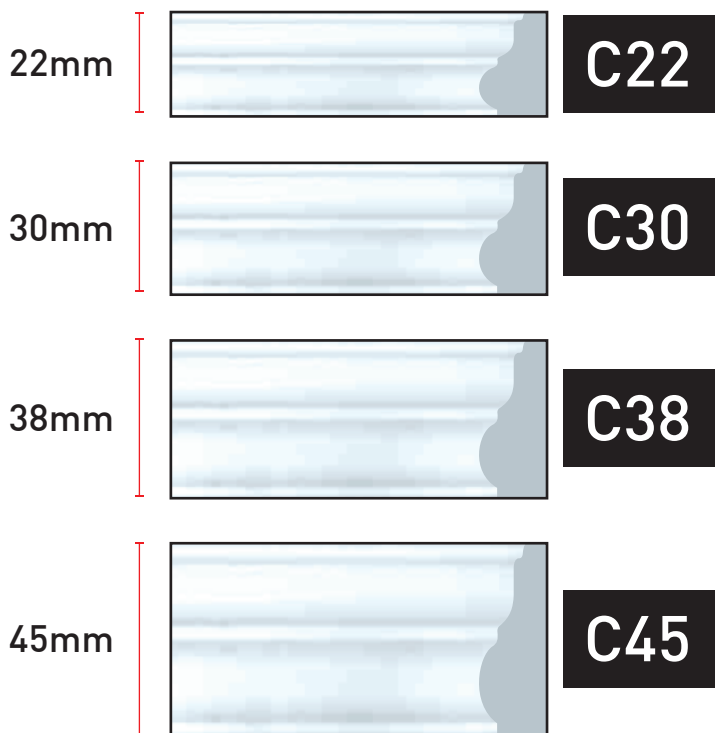
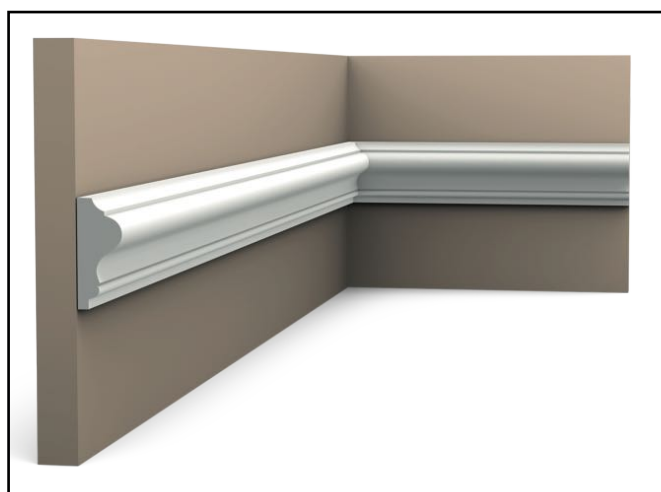
100%

Paintable

EVEN SERIES



CLASSIC SERIES



LOOK BOOK

Let's celebrate our love for wall design together and turn your vision into reality!



APPLICATIONS

Touch Menu

Single-Layer Walls



Multi-Layer Walls



Panelled Walls



APPLICATIONS

Touch Menu

Cabinetry



Doors



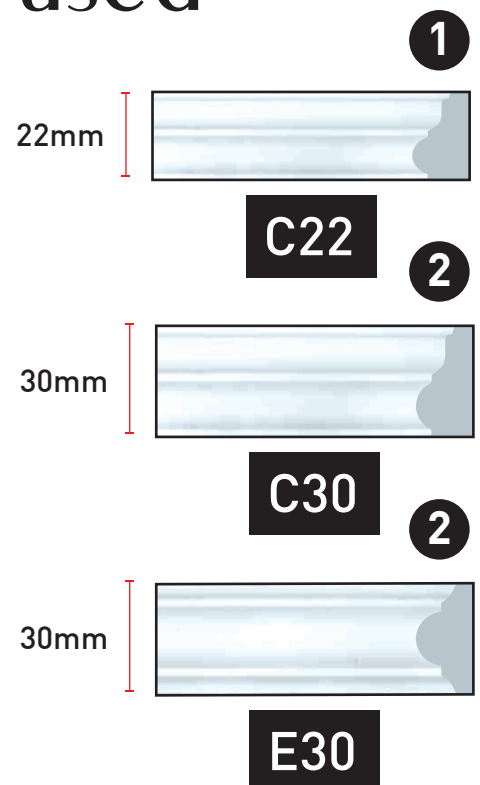
Abstract





A frame-like moulding borders the utilitarian area in space otherwise demarcated by a palette of colors. Red, white, cream, brown - all the shades work

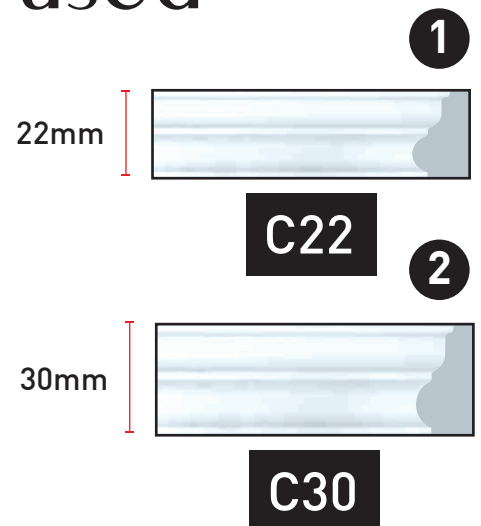
Products used





Spice up your wall decoration with panel mouldings and highlight your fancy wallpaper with a custom frame to create a look like this bright blue bedroom.

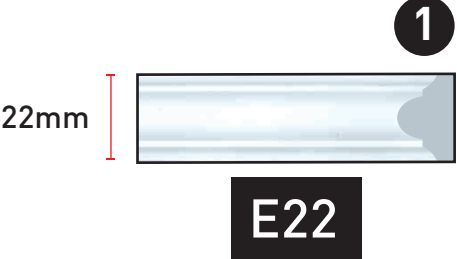
Products used





A photo-frame styled feature wall that brings the decor in focus. The chair is blurred out because that's exactly how you'd realistically perceive the wall.

Products used





Tapered edges that stress the ornate wall without going overboard with additional materials. Here, we see a black millwork wall trim for a classic finish.

Products used





Pale green wall with wainscots packed together in three layers for a chiseled finish which leverages the height of the walls.

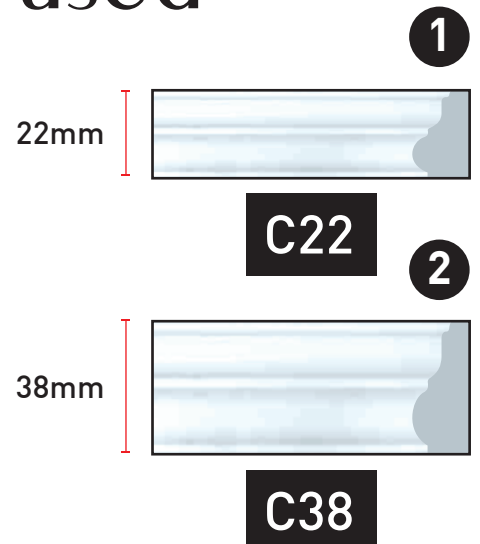
Products used





Re-imagining wallpaper with elegant millwork frames and patterns that sweeten the overall gravity of the space. Here: Japanese wallpaper is placed in box trim with walls painted a-like in steel blue.

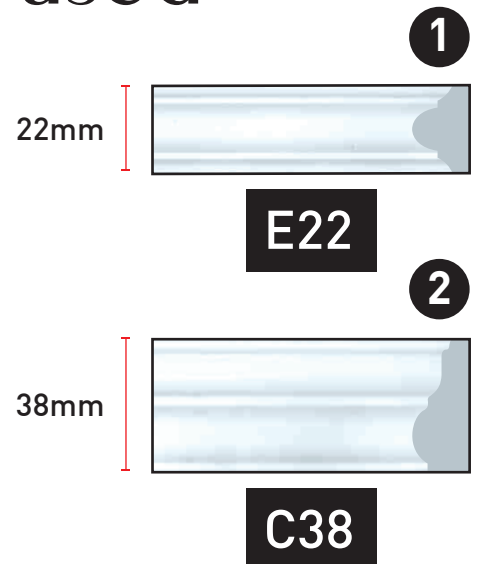
Products used





Simple white wall trims lend depth to this otherwise, minimal wall while maintaining a crisp and clean aura.

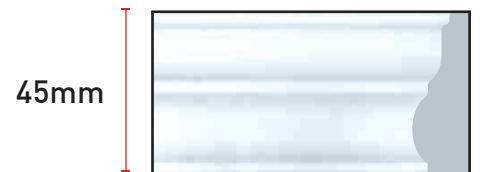
Products used





If you're struggling to add some style to a space try adding wainscot. It's a simple addition, like here just gives a something extra to this pink wall.

Products used



C45

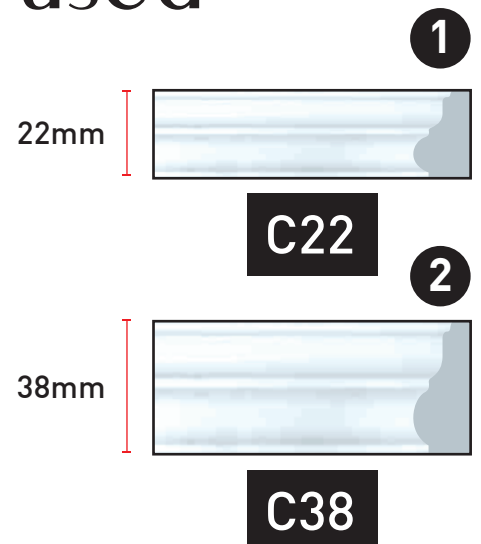


C38



Mouldings applied on top of wood veneers and finished with a metallic tone to emphasise the accent wall. The space exudes royalty.

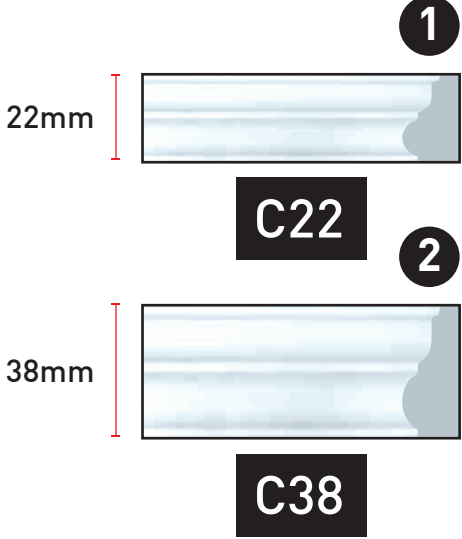
Products used





Moldings bring elegance while stitching a unifying look to a room. This space is a stand-out with its antic furniture and accent wall.

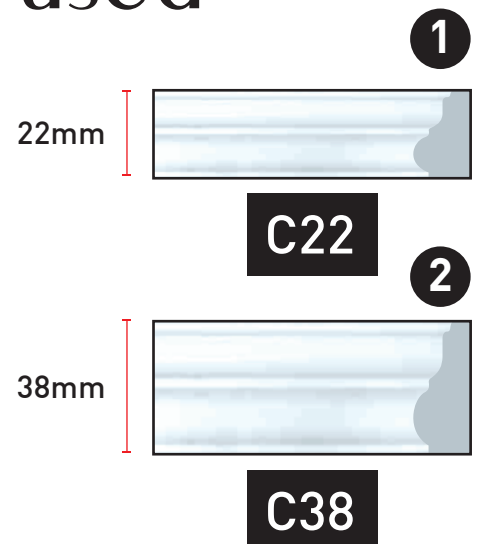
Products used





Sharp, chiseled black walls with tapered corners using mouldings for a smart finish. A bed back fit for Batman.

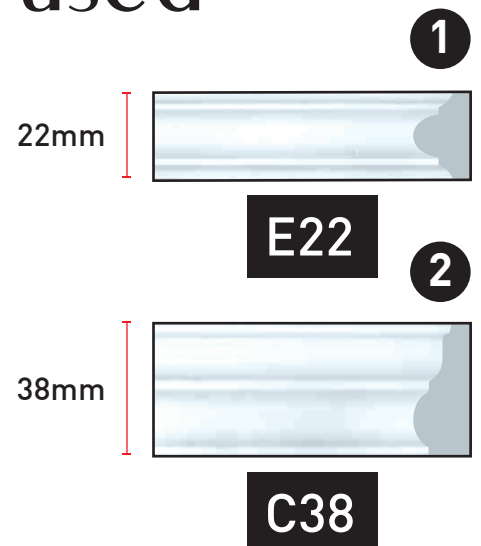
Products used





A moulding-
panelled feature
wall with a red
that pops. The
white wall in front
serves as a pit
stop for the eyes.

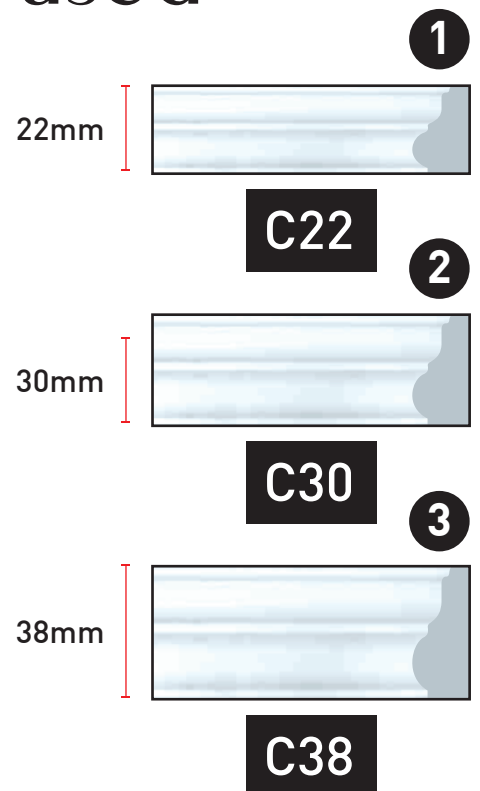
Products used





Use box trim to bring focus onto a particular part of the wall. Often used to bring focus onto the contents: achievements, trophies or even photographs

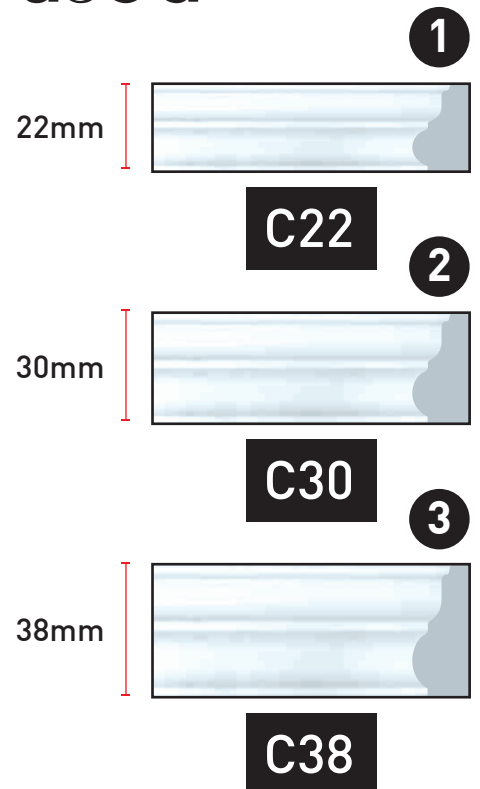
Products used





A classic French-style paneled walls with a wooden herringbone flooring that brings out the stillness of the space.

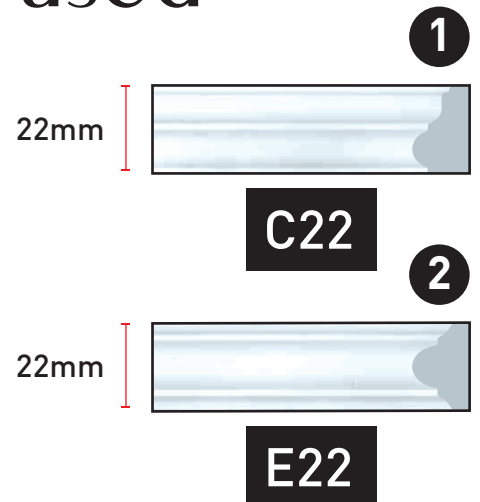
Products used





A light blue pastel space that is calm, still and also gives space to fit in a photograph or two. Perfect for a side walls

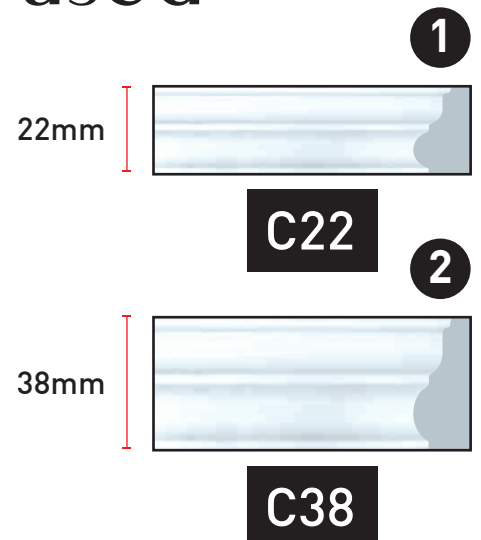
Products used





Painting bold color onto oversized trim can bring that hint of drama to your bookshelves, effortlessly and keep the space in sync with your furniture.

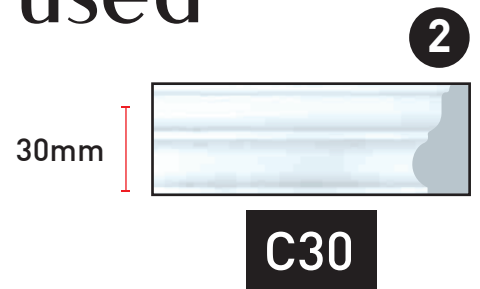
Products used





Whether it's pale wainscoting on wall or bright furniture, mustard yellow is such a versatile color, pairs so well with saturated hue of blue. Giving a look that's traditional and timeless.

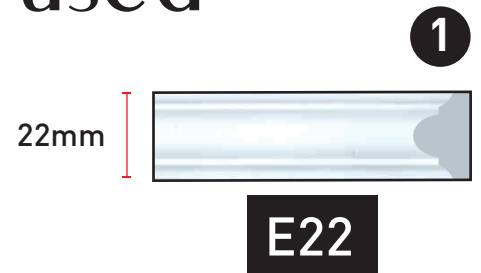
Products used





Glam: A dash of any metallic color to direct focus onto a particular part of the wall. Often used to bring focus onto the contents: achievements, trophies or even photographs

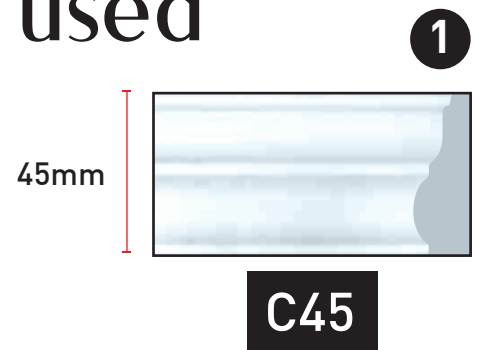
Products used





Painting bold color onto oversized trim can bring that hint of drama to your bookshelves, effortlessly and keep the space in sync with your furniture.

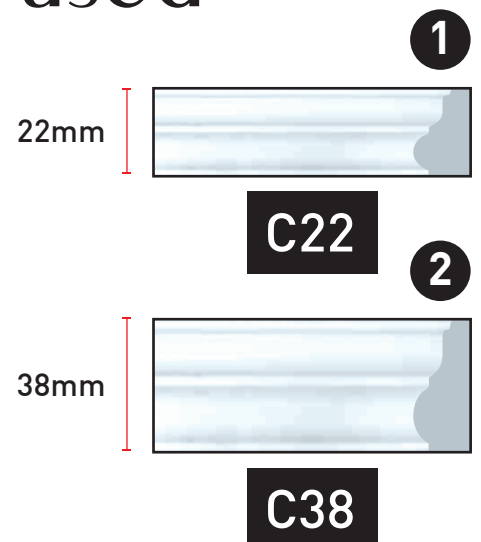
Products used





A Victorian green bathroom wall, flushed with a door. The tiles complement the setup for a very placid theme.

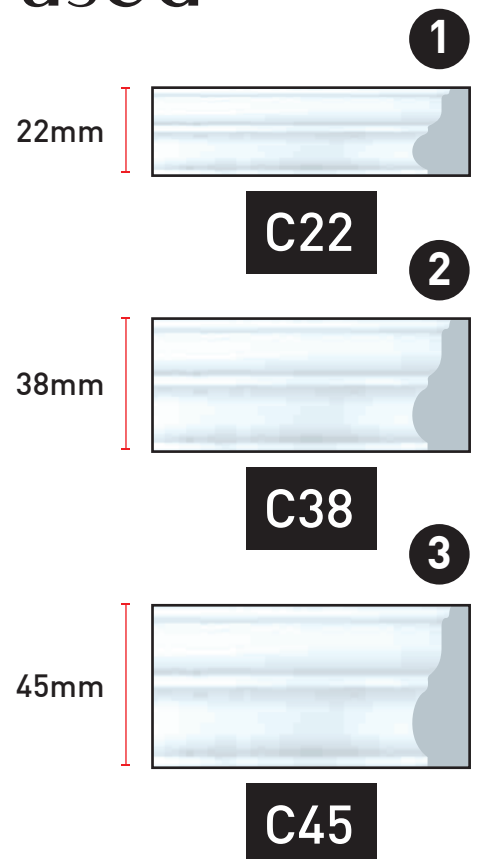
Products used





Wainscoting both wall and door in the bathroom can make them look part of the same unit while bringing drama to an already-bold color choices like black and brown.

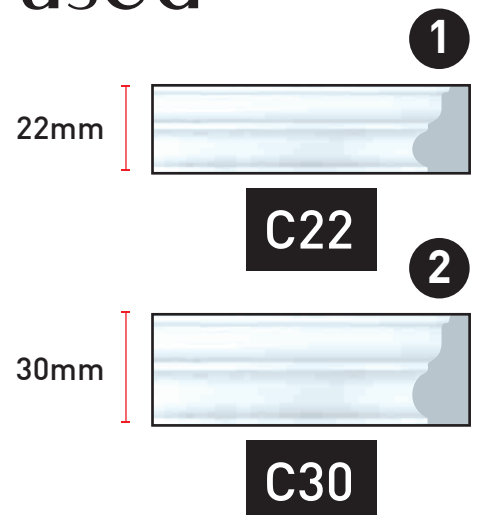
Products used





Doorways do not need to be dull and bland. Make it interesting by adding trims. Picking the same hue for both the door and the trim gives it a sleek and chic finish.

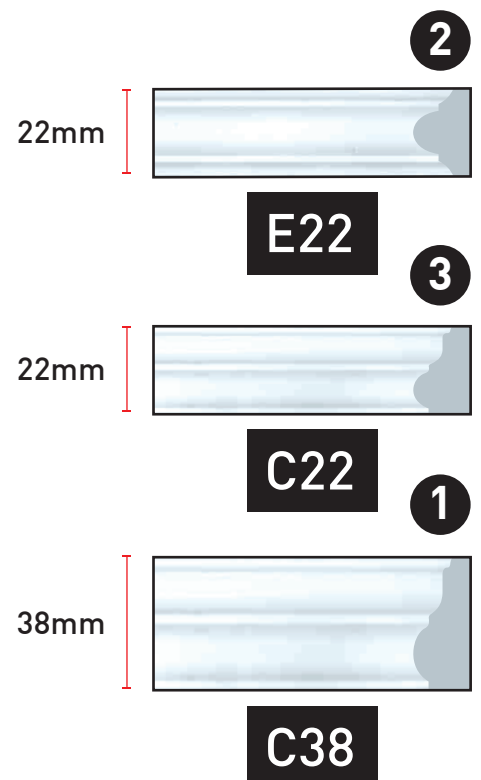
Products used





Skirting and door frame moulding can go hand in hand, softening the transition between the floor, wall and ceiling making a space look finished.

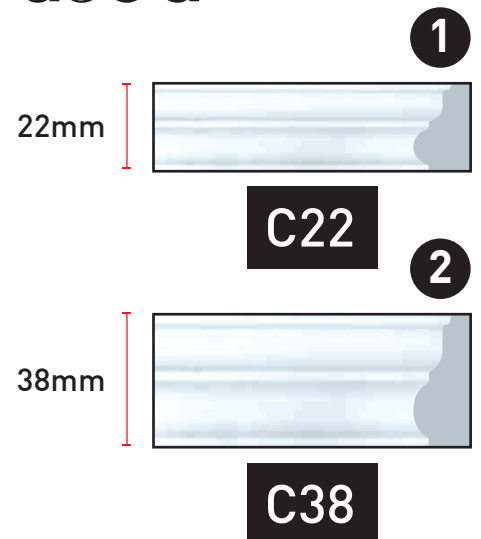
Products used





A decor-heavy hall with pristine white ceilings, panelled with mouldings for a maximalist finish.

Products used





A mélange between Nordic style interiors, Bohemian decor and French style panelling. Finished with just as outlandish colors, this space is a beauty.

Products used





Create a custom look by pairing wainscot stripes in a repeating pattern with that double-coloured wall for that artsy appeal!

Products used

22mm

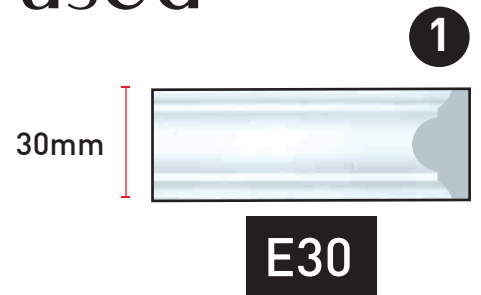


E22



Considering adding wainscoting to the bedroom but you're wary of going all-in, try sticking with a statement wall of wainscoting first, lay a few wainscot stripes and paint it the same as the wall for that elegant look

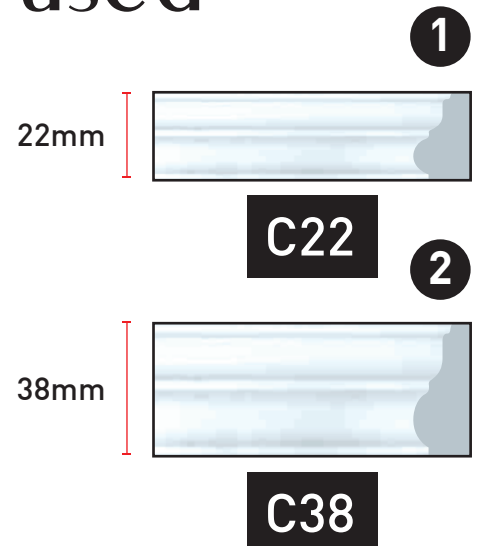
Products used





Practically any statement wall can be created, no matter how elaborate. Visualized here: Kids' room with an impactful accent wall, using a mixture of box trim mouldings in the differently-sized wainscot

Products used



1



C22

2

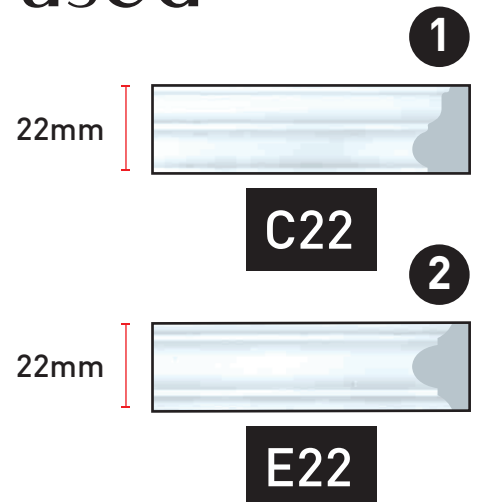


C38



You can utilize moulding to create a monochrome design that allows you to take a classy statement wall and redesign it into a showstopper. Visualized here: Rhombus-like structure with one layer of moulding

Products used



vivre
LOUVERS

QUIRKY,
BUT CLASSY

**VIVRE LOUVERS:
PS BASED
INTERIOR PANELS**



Scan for
Digital Catalogue

**VIVRE
PROFILES**

**FLUTED
WOODEN
PANELS**

Not PVC / Charcoal
with extraordinary surface finishes on top

MARBLE VENEER COLORS

**VIVRE PROFILES:
ENGINEERED-WOODEN
FLUTED PANELS
(HDF LOUVERS)
FOR INTERIORS**



Scan for
Digital Catalogue

ARCHILOUVERS:
CUSTOM
DESIGNED
PS PANELS

**ARCHI
LOUVERS**

SEAMLESS INTERLOCKING PANELS
DESIGNED BY
INDIA'S
FINEST

**ARCHILOUVERS:
CUSTOM
DESIGNED
PS PANELS**



Scan for
Digital Catalogue

VivreClad

ALUMINUM CLADDING FOR INTERIORS & EXTERIORS

ACP LOUVERS & ACP SIDING BOARDS

The 1st comprehensive range of panelling options for Exteriors
from the house of

vivre PANELS

**VIVRECLAD:
ACP-BASED LOUVERS
AND SIDING BOARDS
FOR EXTERIORS AND
INTERIORS**



Scan for
Digital Catalogue

vivre PANELS



vivrepanels



vivrepanels.com



info@vivrepanels.com



Vivre Panels Pvt Ltd

PLYWOOD & BOARDS

TEAK PLYWOOD
FLEXI PLYWOOD
ORIENTED STRAND BOARD (OSB)
FINGER JOINT BOARD
RUSSIAN BIRCH PLWOOD
GURJAN PLYWOOD

PVC

PVC BOARD
PVC DOORS

VENEERS

TEAK VENEERS
RECON VENEERS
DECORATIVE VENEERS

VIVRE DECOR

VIVRE ALUCLAD:
ACP-BASED LOUVERS
& SIDING BOARDS
VIVRE WOODCLAD:
WPC EXTERIOR
CLADDING
VIVRE ARCHILOUVERS
VIVRE LOUVERS

Vivre products add natural beauty to your spaces. Color variance, weave irregularities and shading in these products are to enhance natural beauty and are not imperfections. Utmost care has been taken to provide accurate descriptions and technical specifications. Please excuse errors and omissions, if any. No guarantee / warranty of the product after installation (dimension tolerance +/- 5-10%). Technical specifications and products are subject to change without prior intimation. Use same batch material to avoid color variations. Vivre confirms that all products are free from manufacturing defects and perfectly fit for use in normal conditions.