



**Trusted
every day**

RIM Locks



Over 180 Years of Heritage and Trust

Yale is the global master brand for the residential market with consumers as the primary target group. Yale stands for Trusted Innovation and has 180 years of experience in making homes safer and smarter.

Trusted every day

Since 1840

yalehome.co.in

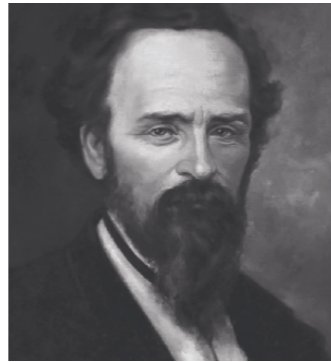


180 years of new ideas

We're 180 years old in 2020. Would Linus Yale Senior or Junior recognise the locks of today? The app notifications? The fingerprint recognition? Maybe not. But what they'd certainly spot is the innovation – after all, we've got a long history of leading the way.

In 1840, Linus Yale Senior opens a lock shop and starts to manufacture the first pin-tumbler locks. In 1862, Linus Yale Junior starts mass-producing this design, introducing the cylinder lock to thousands. It's still the most widely used lock in the world.

So it's in our DNA to find smarter ways of doing things, not only in our products, but also in the ways we work together as a company.



Linus Yale Junior



Yale is trusted by millions of people every day to keep what's important to them safe. Their homes, families and belongings.

Our innovations have protected homes and given peace of mind for 180 years. We have expanded from a mechanical lock innovator to leading the evolution of connected smart locks and homes.

Because when we do things, we do them properly. We were there for your grandparents (and probably theirs) and we will be there for you. And for your children.

Today, and every day to come



Timeline of Yale's history from 1840 to 2020.

1840 Linus Yale Sr. started working on his designs for the combination locks

1843 First Lock Patent from Linus Yale Sr. (Combination Lock, US3312).

1844 Patent from Linus Yale Sr. for a door lock (US3630) with circular pin tumblers.

1847 Linus Yale Sr. built a small lock factory in Newport, USA.

1850 Linus Yale Sr.'s son joined his father in the business.

1851 Yale patented a safety lock for use in banks.

1857 Yale patented his design for the famous pin tumbler cylinder padlock - still used around the world today.

1857-65 Granted patents between 1857 and 1865, Yale finally succeeded in creating his most important invention - the Yale cylinder lock. (June 27, 1865, US patent 48475 - round cylinder with five pin tumblers in a line and flat key) Linus Yale Jr. transformed the locking industry forever with his many breakthrough inventions.

1868 After the death of Linus Yale Junior, his son, John B. Yale, joined Henry Towne and helped grow the company from a small shop into a giant manufacturing enterprise.

1879 A line of padlocks was introduced.

1894 Yale & Towne established a sales branch in Britain (first British plant).

1903 Towne began stamping the name Yale on the padlocks.

1929 Yale purchased the UK largest lock maker H. & T. Vaughan Ltd.

20th C By the early 20th century, they employed more than 12,000 staff and had expanded into the wider world. Throughout the 20th century purchases, acquisitions and joint ventures with brands as Gubi, Parkes and C.E. Marshall have made Yale locks well-known worldwide.

1963 Eaton acquired Yale & Towne Manufacturing Co.

1991 Williams Holdings acquires Yale.

2000 In August 2000 Yale was purchased by the ASSA ABLOY Group - the world's leading lock group.

2005 Yale became a global brand.

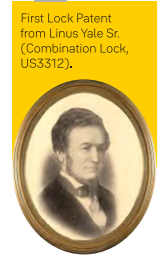
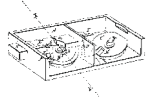
2010 Launch of the first Smart Door Lock Keyfree, for the UK market.

2011 Launch of Doorman in Scandinavia which is the start of a success story for our Smart Door Lock products.

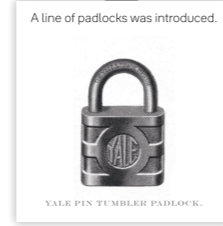
2016 Yale Smart Living range is launched in various countries. Yale Smart Living / Real Living is an ingredient brand gathering our range of connected products. It is a range of connected, smart security devices such as alarms and digital door locks and viewers that allow you to protect your home and loved ones from almost anywhere in the world through intuitive user-friendly apps.

2018 Launch of CCTV, part of the Yale Smart Living ecosystem.

2020 A brand new day for Yale as it launches its new brand identity, vision, values & purpose.



Linus Yale



YALE

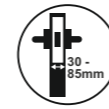


CINCO CBD SERIES

CBD - 500



Features



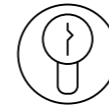
Suitable for 30mm – 85mm thick door.



1 million key combinations for extra securities.



5 Deadbolt including 2 deadbolt with anti saw design.

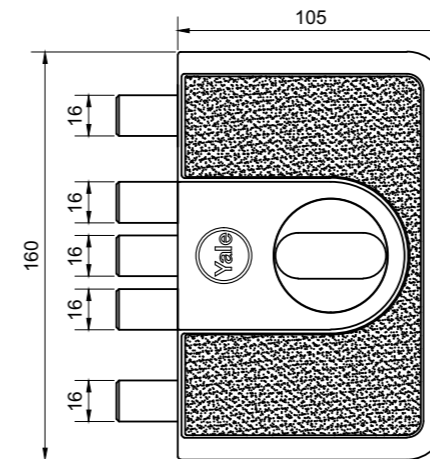


Available in both side keyed cylinder, one side key and other side thumbturn variant.

Material Specifications:

- Body / Receptacle: Zinc Alloy
- Striker plate: SS304 sheet
- Dead bolt : SS304
- Anti-saw sleeve: SS304

Technical specifications



SKU Code	Type	Finish
CBD-500 AB-DC	Double Cylinder	AB
CBD-500 BN-DC	Double Cylinder	BN
CBD-500 GR-DC	Double Cylinder	GR
CBD-500 SIL-DC	Double Cylinder	SIL
CBD-500 AB-TT	Thumbturn	AB
CBD-500 BN-TT	Thumbturn	BN
CBD-500 GR-TT	Thumbturn	GR
CBD-500 SIL-TT	Thumbturn	SIL

Available colours



Antique Brass



Silver Colour Coated



Chocolate Brown



Metallic Grey



Conforms to EN12209



200,000 Cycles Tested Door Closer



14 pin dimple key technology



Suitable for din left and din right handed doors



Category of use Grade 1



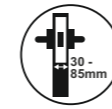
Door mass - Grade 7 Closing force - 15N

CINCO CBR SERIES

CBR - 500



Features



Suitable for 30mm – 85mm thick door.



1 million key combinations for extra securities.



4 Deadbolt including 2 deadbolt with anti saw design.

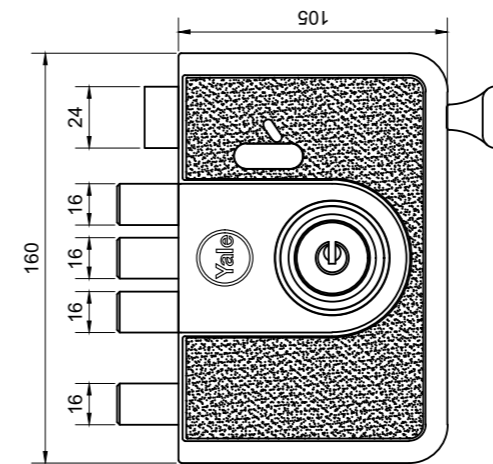


Available in both side keyed cylinder, one side key and other side thumbturn variant.

Material Specifications:

- Body / Receptacle: Zinc Alloy
- Striker plate: SS304 sheet
- Dead bolt : SS304
- Anti-saw sleeve: SS304
- Latch bolt : Brass

Technical specifications



SKU Code	Type	Finish
CBR-500 AB-DC	Double Cylinder	AB
CBR-500 BN-DC	Double Cylinder	BN
CBR-500 GR-DC	Double Cylinder	GR
CBR-500 SIL-DC	Double Cylinder	SIL
CBR-500 AB	Thumbturn	AB
CBR-500 BN	Thumbturn	BN
CBR-500 GR	Thumbturn	GR
CBR-500 SIL	Thumbturn	SIL

Available colours



Antique Brass

Silver Colour Coated

Chocolate Brown

Metallic Grey



Conforms to EN12209



200,000 Cycles Tested Door Closer



14 pin dimple key technology



Suitable for din left and din right handed doors



Category of use Grade 1



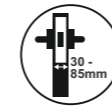
Door mass - Grade 7 Closing force - 15N

CINCO CBS SERIES

CBS - 200



Features



Suitable for 25mm – 80mm thick door.



1 million key combinations for extra securities.

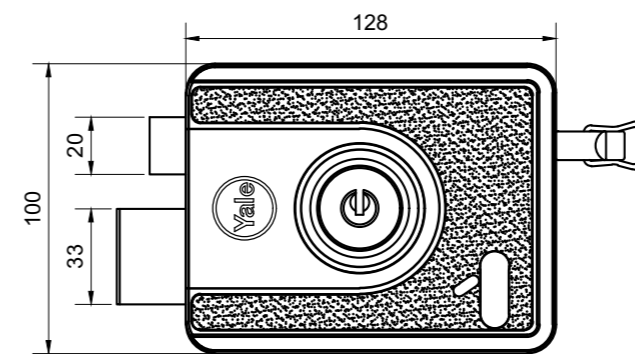


Available in both side keyed cylinder, one side key and other side thumbturn variant.

Material Specifications:

- Body / Receptacle: Zinc Alloy
- Striker plate: CRCA. MS. Sheet
- Dead bolt : Zinc Alloy
- Latch bolt : Brass

Technical specifications



SKU Code	Type	Finish
CBS-200 DC-AB	Double Cylinder	AB
CBS-200 DC-BN	Double Cylinder	BN
CBS-200 DC-GR	Double Cylinder	GR
CBS-200 DC-SIL	Double Cylinder	SIL
CBS-200 TT-AB	Thumbturn	AB
CBS-200 TT-BN	Thumbturn	BN
CBS-200 TT-GR	Thumbturn	GR
CBS-200 TT-SIL	Thumbturn	SIL

Available colours



Antique Brass

Silver Colour Coated

Chocolate Brown

Metallic Grey



Conforms to EN12209



200,000 Cycles Tested Door Closer



14 pin dimple key technology



Suitable for din left and din right handed doors



Category of use Grade 1



Door mass - Grade 7 Closing force - 15N

R 600

Regular Key



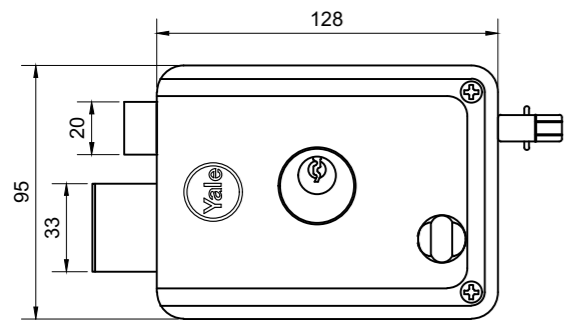
Features

- Suitable for 25mm – 80mm thick door.
- Suitable for wooden and steel door
- Available in both side keyed cylinder, one side key and other side thumbturn variant.

Material Specifications:

- Body / Receptacle / Striker Plate: CRCA. MS. Sheet
- Dead bolt : Zinc Alloy
- Latch bolt: Brass
- Big knob: Zinc Alloy
- Small knob: Zinc Alloy
- Puller Clip: Zinc Alloy

Technical Specifications



SKU Code	Type	Finish
R600-TT	Thumbturn Regular Key	AB
R600-DC	Double Cylinder Regular Key	SIL



Satin Steel



Antique Brass



Conforms to EN12209



100,000 Cycles Tested Door Closer



Regular Key



Suitable for din left and din right handed doors

R 600-DK

Dimple Key



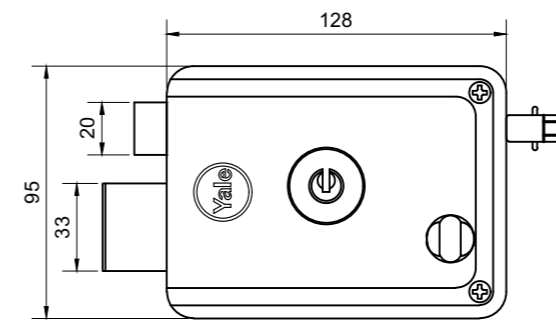
Features

- Suitable for 25mm – 80mm thick door.
- Suitable for wooden and steel door
- Available in both side keyed cylinder, one side key and other side thumbturn variant.

Material Specifications:

- Body / Receptacle / Striker Plate: CRCA. MS. Sheet
- Dead bolt : Zinc Alloy
- Latch bolt: Brass
- Big knob: Zinc Alloy
- Small knob: Zinc Alloy
- Puller Clip: Zinc Alloy

Technical Specifications



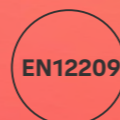
SKU Code	Type	Finish
R600-AB-TT-DK	Thumbturn Dimple Key	AB
R600-TT-DK	Thumbturn Dimple Key	SIL
R600-AB-DC-DK	Double Cylinder Dimple Key	AB
R600-DC-DK	Double Cylinder Dimple Key	SIL



Satin Steel



Antique Brass



Conforms to EN12209



100,000 Cycles Tested Door Closer



14 pin dimple key technology



Suitable for din left and din right handed doors

R 601

Regular Key



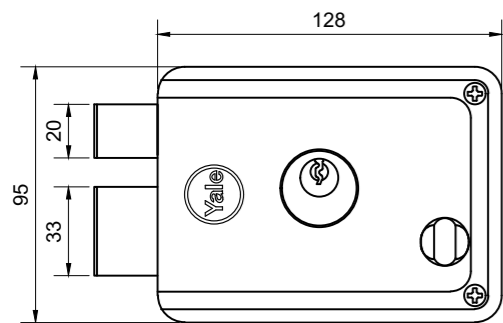
Features

- Suitable for 25mm – 80mm thick door.
- Suitable for wooden and steel door
- Available in both side keyed cylinder, one side key and other side thumbturn variant.

Material Specifications:

- Body / Receptacle: CRCA
- Dead bolt : Zinc Alloy
- Big knob: Zinc Alloy
- Small knob: Zinc Alloy

Technical Specifications



SKU Code	Type	Finish
R601-DBTT	Double Bolt Thumbturn Regular Key	SIL
R601-DBDC	Double Bolt Double Cylinder	SIL
R601-DBTT-AB	Double Bolt Thumbturn Regular Key	AB
R601-DBDC-AB	Double Bolt Double Cylinder	AB



Satin Steel



Antique Brass



Conforms to EN12209



100,000 Cycles Tested Door Closer



Regular Key



Suitable for din left and din right handed doors

R 601-DK

Dimple Key



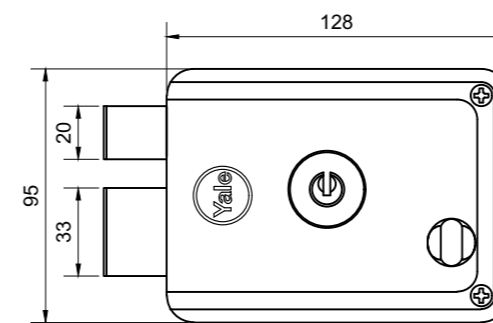
Features

- Suitable for 25mm – 80mm thick door.
- Suitable for wooden and steel door
- Available in both side keyed cylinder, one side key and other side thumbturn variant.

Material Specifications:

- Body / Receptacle: CRCA
- Dead bolt : Zinc Alloy
- Big knob: Zinc Alloy
- Small knob: Zinc Alloy

Technical Specifications



SKU Code	Type	Finish
R601-DBTT-DK	Double Bolt Thumbturn Dimple Key	SIL
R601-DBDC-DK	Double Bolt Double Cylinder Dimple Key	SIL
R601-DBTT-DK-AB	Double Bolt Thumbturn Dimple Key	AB
R601-DBDC-DK-AB	Double Bolt Double Cylinder Dimple Key	AB



Satin Steel



Antique Brass



Conforms to EN12209



100,000 Cycles Tested Door Closer



14 pin dimple key technology



Suitable for din left and din right handed doors

RL 1000-3 bolts

Dimple Key



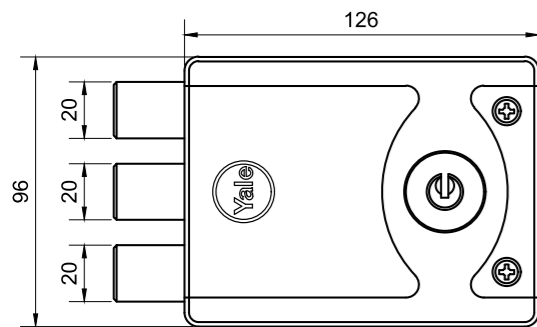
Features

- Suitable for 25mm – 80mm thick door.
- Suitable for wooden and steel door
- Available in both side keyed cylinder, one side key and other side thumbturn variant

Material Specifications:

- Body / Receptacle / Striker Plate: CRCA. MS. Sheet (for MS lock body)
- Dead bolt : Brass
- Big knob: Zinc Alloy
- Small knob: Zinc Alloy

Technical Specifications



SKU Code	Type	Finish
RL-1000 3B TT-P	Tribolt Thumbturn Dimple Key	SIL
RL-1000 3B TT-AB	Tribolt Thumbturn Dimple Key	AB
RL-1000 3B DC-P	Tribolt Double Cylinder	SIL
RL-1000 3B DC-AB	Tribolt Double Cylinder	AB



Satin Steel



Antique Brass



Conforms to EN12209



200,000 Cycles Tested Door Closer



14 pin dimple key technology



Suitable for din left and din right handed doors

RL 1000-Latchbolt

Dimple Key



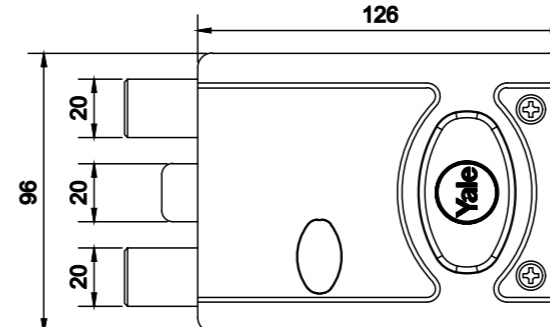
Features

- Suitable for 25mm – 80mm thick door.
- Suitable for wooden and steel door
- Available in both side keyed cylinder, one side key and other side thumbturn variant

Material Specifications:

- Body / Receptacle / Striker Plate: CRCA. MS. Sheet (for MS lock body)
- Dead bolt : Brass
- Latch bolt: Brass
- Big knob: Zinc Alloy
- Small knob: Zinc Alloy

Technical Specifications



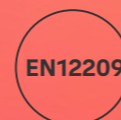
SKU Code	Type	Finish
RL-1000 LB TT-P	Latch Bolt Thumbturn	SIL
RL-1000 LB TT-AB	Latch Bolt Thumbturn	AB



Satin Steel



Antique Brass



Conforms to EN12209



200,000 Cycles Tested Door Closer



14 pin dimple key technology



Suitable for din left and din right handed doors

VB 100

Dimple Key - Vertibolt



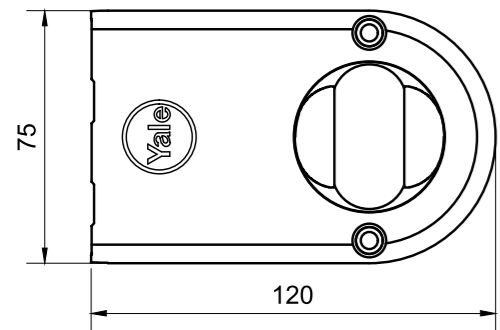
Features

- Suitable for 25mm – 80mm thick door.
- Suitable for wooden and steel door
- Available in both side keyed cylinder, one side key and other side thumbturn variant

Material Specifications:

- Body / Receptacle: Zinc Alloy
- Dead bolt : Zinc Alloy
- Big knob: Zinc Alloy

Technical Specifications



SKU Code	Type	Finish
VB - 100 TTDK-AB	Thumbturn Dimple Key	AB
VB - 100 TTDK-SSS	Thumbturn Dimple Key	SSS
VB - 100 DCDK-AB	Double Cylinder Dimple Key	AB
VB - 100 DCDK-SSS	Double Cylinder Dimple Key	SSS



Satin Steel



Antique Brass



Conforms to EN12209



100,000 Cycles Tested Door Closer



14 pin dimple key technology



Suitable for din left and din right handed doors

VBKA 100

Dimple Key - Vertibolt



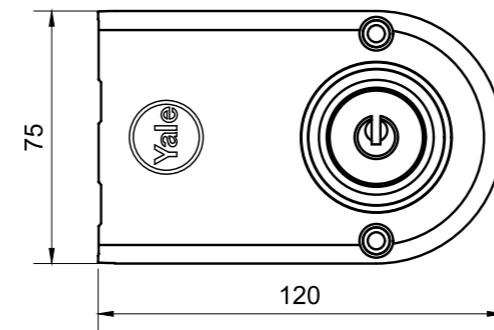
Features

- Suitable for 25mm – 80mm thick door.
- Suitable for wooden and steel door
- Keyed alike - with a keyed alike cylinder, one key unlocks multiple cylinders

Material Specifications:

- Body / Receptacle: Zinc Alloy
- Dead bolt : Zinc alloy
- Big knob: Zinc alloy

Technical Specifications



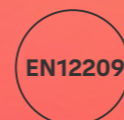
SKU Code	Type	Finish
VBKA - 100 TTDK-AB	Thumbturn Dimple Key	AB
VBKA - 100 TTDK-SSS	Thumbturn Dimple Key	SSS
VBKA - 100 DCDK-AB	Double Cylinder Dimple Key	AB
VBKA - 100 DCDK-SSS	Double Cylinder Dimple Key	SSS



Satin Steel



Antique Brass



Conforms to EN12209



100,000 Cycles Tested Door Closer



14 pin dimple key technology




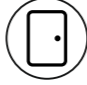

Suitable for din left and din right handed doors

V78

Night Latch



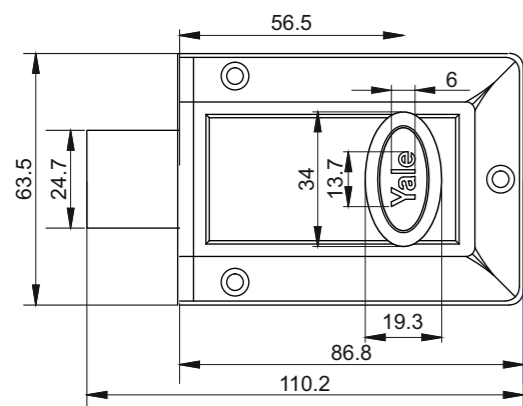

Features

-  Suitable for 35mm – 55mm thick door.
-  Suitable for wooden and steel door
-  Available in both side keyed cylinder, one side key and other side thumbturn variant

Material Specifications:

- Body / Receptacle: Zinc Alloy
- Striker plate: SS304 sheet
- Latch bolt: Copper HPB59
- Big knob: Zinc Alloy

Technical Specifications



SKU Code	Type	Finish
V78 - AB	Inside opening	AB
V78 0 - AB	Outside opening	AB
V78 - SN	Inside opening	SN
V78 0 - SN	Outside opening	SN



Satin Nickel



Antique Brass



Conforms to EN12209



100,000 Cycles Tested Door Closer



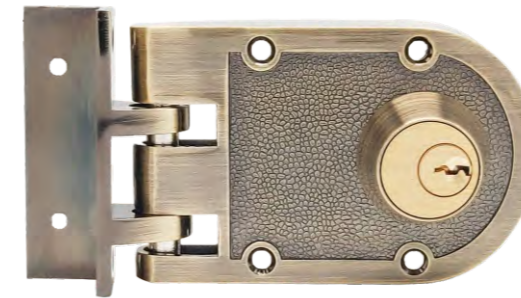
Regular Key






Suitable for din left and din right handed doors

198

Vertical Bolt

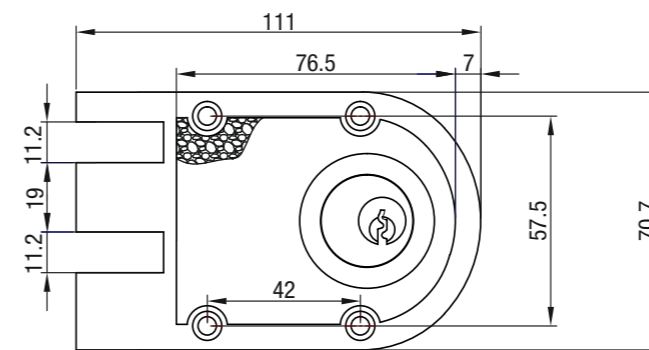
Features

-  Suitable for 35mm – 55mm thick door.
-  Suitable for wooden and steel door
-  Available in both side keyed cylinder, one side key and other side thumbturn variant

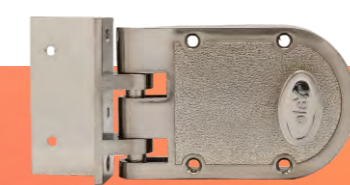
Material Specifications:

- Body / Receptacle: Zinc Alloy
- Dead bolt: Zinc Alloy
- Strike plate: Zinc Alloy
- Big knob: Zinc Alloy

Technical Specifications



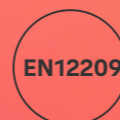
SKU Code	Type	Finish
198 1/4-AB	Double cylinder	AB
198 1/4-SN	Double cylinder	SN
198-AB	Single cylinder	AB
198-SN	Single cylinder	SN



Satin Nickel



Antique Brass



Conforms to EN12209



100,000 Cycles Tested Door Closer



Regular Key



Suitable for din left and din right handed doors

Available colours

Available colours

The Yale Brand, with its unparalleled global reach and range of products, reassures more people in more countries than any other consumer locking solution.

The ASSA ABLOY Group is the world's leading manufacturer and supplier of locking solutions, dedicated to satisfying end-user needs for security, safety and convenience.

 www.yalehome.co.in

 Yalehomeindia

 YalehomeIndia

 YaleIndia_

 YalehomeIndia

 YalehomeIndia

ASSA ABLOY India Private Limited
Ecostar, 12th Floor, 1204/1205
Vishweshwar Nagar
Goregaon East
Mumbai - 400063
Maharashtra, India

ASSA ABLOY India Private Limited
Sr.No.36, Hissa No.1, Plot No.11,
Village Pisoli, Haveli Kondwa,
Pune - 411028, Maharashtra

ASSA ABLOY India Private Limited
Patalamma Road,
Enox Experience Center,
Jayanagar South End Circle,
Bangalore, Karnataka-560004.

ASSA ABLOY India Private Limited
Office No. 1 & 2, Enco Working Space,
6th Floor, Enkay Tower,
B&B1 Vanijya Nikunj, Udyog Vihar,
Phase - V, Gurgaon - 122016, Haryana.

ASSA ABLOY India Private Limited
23-2, Old No 39-2, Cenotaph Road,
1st Lane, Near To Crown Plaza Hotel,
Opp Canara Bank, Teynampet,
Chennai 600 018

Website

